

## SOLAR PUMPING SYSTEM HELPS A LOT

Reduce the distance between us and clean water  
 Lift fresh water from deep underground to irrigate fruit, contributes to better fruit quality  
 Providing much more reliable and efficient water supply for livestock  
 Very economical & Worry-free way to circulate pool water



### Solar Pumping Technology is Making The World Better



## DSDP Solar Pump Inverter

### Features

- High efficiency with MPPT function
- Specially designed for solar pumping system
- Easy installation & Low installation cost
- Easy operation & Low maintenance cost
- Enclosures class: IP55

### Multi Functions

- MPPT: Increase the solar power utilization rate
- LED Screen displays Real time working condition: Output Power, Output Voltage, Current, Pump speed & Error code
- Auto Frequency Conversion function: Can automatically adjust the speed/rpm according to solar power strength, user can adjust the pump speed/rpm manually.
- Auto On/Off (with float switch )
- Soft Start: No impulse current, protect pump motor. No water hammer, protect the whole plumbing system.
- Multi-protection: Dry-run protection, Over-voltage protection, Over-current protection, High-temperature protection (reduce rpm when the inner temperature got 79°C ), Output phase lose protection.



DSDP



High Reliability



MPPT



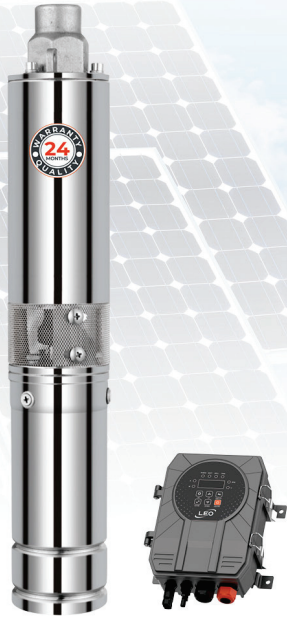
IP55



Cost Saving

### Working Environment and Electrical Property

Controller Model	Adaptable Pump Rated Voltage	Max.Input Current	Max.Open Circuit Voltage	MPPT Voltage Range	Working Temperature	Inverter Dimension	Net Weight
DSDP-12	12V	17A	48V	30-48V	-15~+60°C	23.8x18x9.5mm	1.5kg
DSDP-24	24V	17A	48V	30-48V			
DSDP-36	36V	17A	48V	30-48V			
DSDP-48	48V	17A	100V	60-90V			
DSDP-72	72V	17A	150V	90-120V			
DSDP-110	110V	17A	200V	110-150V			



### Applications

- Agriculture irrigation, Livestock feeding, Domestic water lifting
- Clean water supply from wells or reservoirs
- Off grid solar pumping system

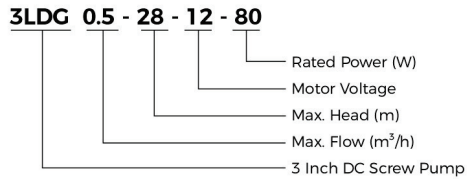
### Pump Features

- With MPPT DC controller
- High-precision AISI304 screw gets higher efficiency
- AISI304 oil chamber and pump barrel
- High efficiency PMSM brushless motor (PMSM: Permanent-Magnet Synchronous Motor)

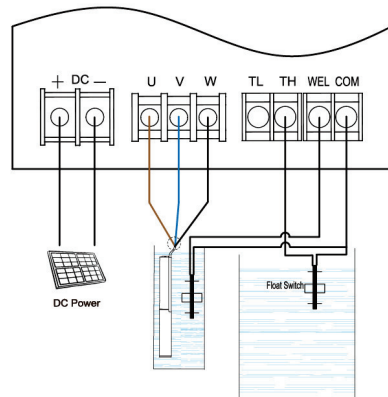
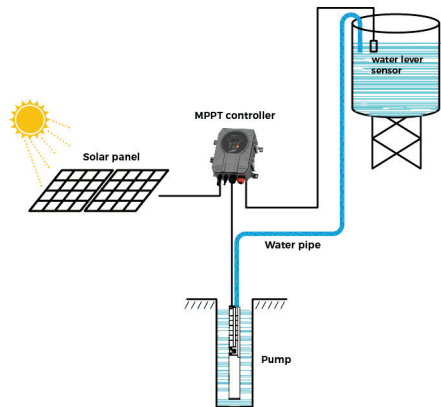
### MPPT DC Controller

- Enclosures class: IP55
- Ambient temperature: -15 ~ 60°C
- LED Displays working conditions & Fault code
- Auto Start & Stop
- Soft start & VFD function

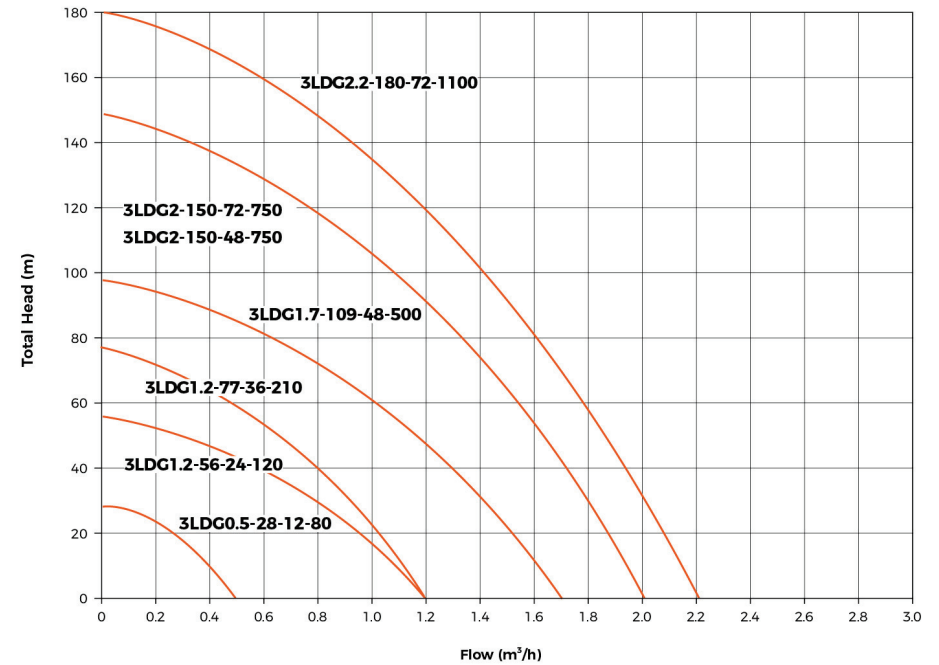
### Identification Codes



### Wiring Diagram



## 3LDG



### Technical Data

Model	Power (W)	Rated Voltage (V)	Optimum Input Voltage (V)	Max. Flow (m <sup>3</sup> /h)	Max. Head (m)	Outlet (inch)	Cable (m)	Recommended Solar Panel	
								Open Circuit Voltage(VOC)	Power
3LDG0.5-28-12-80	80	12	20-36	0.5	28	¾"	2	< 50	≥1.3*Pump Power
3LDG1.2-56-24-120	120	24	30-48	1.2	56	¾"	2	< 50	≥1.3*Pump Power
3LDG1.2-77-36-210	210	36	30-48	1.2	77	¾"	2	< 50	≥1.3*Pump Power
3LDG1.7-109-48-500	500	48	60-90	1.7	109	¾"	2	< 100	≥1.3*Pump Power
3LDG2-150-48-750	750	48	60-90	2	150	¾"	2	< 100	≥1.3*Pump Power
3LDG2-150-72-750	750	72	90-120	2	150	¾"	2	< 150	≥1.3*Pump Power
3LDG2.2-180-72-1100	1100	72	90-120	2.2	180	¾"	2	< 150	≥1.3*Pump Power