



Guide Rail System

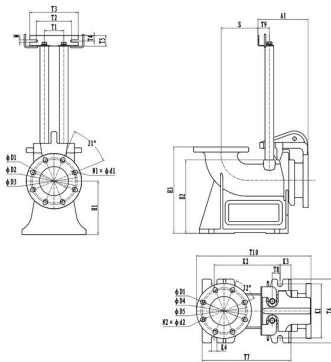
- Suitable for pumps with flange conforming ISO7005-92 standard.
- Automatic engagement with flanged elbow

Includes

- Duck-foot bend
- Guide hook
- Flange connector
- Upper guide support
- Bolts and lock washers
(Foundation bolts and guide pipes are not included)

Identification Codes

SW 50 - 50



Dimension

Model	D1	D2	D3	D4	D5	T1	T2	T3	T4	T5	T6	T7	T8	T9	T10
SW50-50(PN6)	50	90	110	105	125	75	182	230	28	55	165	190	12	52.8	342.5
SW65-65(PN6)	65	/	130	130	145	85	182	230	28	55	195	210	17	59.1	372.5
SW80-80(PN6)	80	/	150	145	160	85	182	230	28	55	220	317	26	59.1	417
SW100-100(PN6)	100	/	170	170	180	100	182	250	28	55	220	350	38	59	494
SW100-100(PN10)	100	/	180	170	180	100	182	250	28	55	220	350	38	59	494
SW150-150(PN6/PN10)	150	227.5	240	225	240	100	182	250	28	55	330	460	40	59	577.5
SW200-200(PN6/PN10)	200	283	295	283	295	200	260	320	28	55	360	520	39	65	660
SW250-250(PN6/PN10)	250	338	350	338	350	200	260	320	28	55	400	570	38	65	731.5

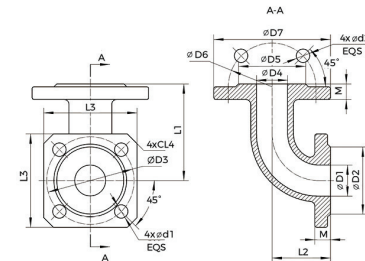
Model	H1	H2	H3	K1	K2	K3	K4	J1	J2	N1	N2	d1	d2	S	A1
SW50-50(PN6)	170	205	260	115	100	48	18	90	90	4	4	14	19	133	179.5
SW65-65(PN6)	175	220	270	145	120	48	18	90	45	4	8	14	19	148	191.1
SW80-80(PN6)	190	245	290	175	158	42	20	90	45	4	8	18	20	174	202.1
SW100-100(PN6)	230	300	360	169	266	41	22	90	45	4	8	19	19	135	216
SW100-100(PN10)	230	300	360	169	266	41	22	45	45	8	8	19	19	135	216
SW150-150(PN6/PN10)	275	380	447	280	340	57	22	45	45	8	8	19	22	191	244
SW200-200(PN6/PN10)	330	443	551	300	395	59	28	45	45	8	8	22	22	230	260
SW250-250(PN6/PN10)	385	525	641	340	440	64	28	30	30	12	12	22	22	270	164

Standard with threaded flange and fastening bolt, with bracket welder; Without guide rod, guide chain and anchor bolts, and without fixed bolts for bracket weldment, the customer shall provide them by himself. Guide rod can be standard galvanized water pipe.(DN100 and above are circular outlets without flanges)

Package Information

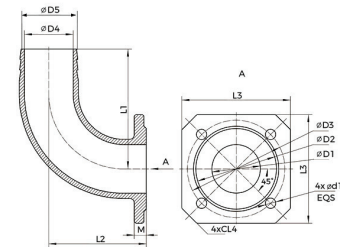
Model	Caliber (mm)	Nominal pressure	Packing Dimension (mm)	G.W (kg)	N.W (kg)
SW50-50(PN6)	50	PN6	377x322x205	23	17.6
SW65-65(PN6)	65	PN6	406x339x230	30	23.5
SW80-80(PN6)	80	PN6	460x375x270	39.5	30.8
SW100-100(PN6)	100	PN6	523x483x296	53.8	45
SW100-100(PN10)	100	PN10	523x483x296	53.8	45
SW150-150(PN6/PN10)	150	PN6/PN10	605x355x650	97	86.6
SW200-200(PN6/PN10)	200	PN6/PN10	690x390x757	138.5	122.5
SW250-250(PN6/PN10)	250	PN6/PN10	765x430x845	179	160

Flange Elbow



Model	D1	D2	D3	D4	D5	D6	D7	L1	L2	L3	L4	M	d1	d2
32-32 Flange Elbow	32	69	90	32	69	90	120	100	60	96	10	16	14	14
40-50 Flange Elbow	40	78	100	50	88	110	140	120	60	110	15	16	14	14
50-50 Flange Elbow	50	88	110	50	88	110	140	105	105	120	15	16	14	14
65-65 Flange Elbow	65	108	130	65	108	130	160	130	130	145	20	16	14	14
80-80 Flange Elbow	80	124	150	80	124	150	190	155	155	145	15	18	18	18
100-100 Flange Elbow	100	144	170	100	144	170	210	155	155	-	-	18	-	-
150-150 Flange Elbow	150	199	225	150	199	225	265	200	200	-	-	20	-	-

Hose Coupling



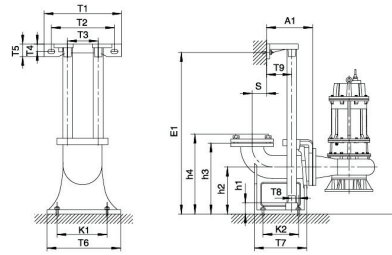
Model	D1	D2	D3	D4	D5	L1	L2	L3	L4	M	d1
• 50-40 Hose Coupling	50	88	110	38	48	115	65	120	15	16	14
• 65-50 Hose Coupling	65	108	130	51	61	125	68	145	20	16	14
• 80-60 Hose Coupling	80	124	150	60	70	140	75	145	15	16	18
50-50 Hose Coupling	50	88	110	50	58	140	120	120	15	16	14
65-65 Hose Coupling	65	108	130	65	74	160	130	145	20	18	14
80-80 Hose Coupling	80	124	150	80	87	190	135	145	15	18	18
100-100 House Coupling	100	144	170	210	98	170	140	-	-	18	19
150-150 House Coupling	150	199	225	265	150	225	200	-	-	20	19

• Product standard

Coupler installation size drawing



Coupling suitable for DN100-400



Main accessories

- Coupling seat
- Coupling block
- Upper guide rod frame
- Flange(≤4")

Guide rods, anchor bolts, expansion bolts, chain assembly are not included

Model	ΦA	ΦB	ΦC	N-Φd	T1	T2	T3	T4	T5	T6	T7	T8	T9	K1	K2	S	h1	h2	h3	h4	N.W (kg)	G.W (kg)	Guide rod length (mm)
200-200(PN10)	Φ200	295	330	8-Φ22	400	260	280	24	48	400	445	103	95	298	350	230	440	320	555	-	120	136	E3-455
250-250(PN10)	Φ250	350	395	12-Φ22	400	260	280	24	48	455	555	101	95	360	430	301	495	350	665	-	192	213	E3-510
300-300(PN10)	Φ300	400	445	12-Φ22	480	305	340	31	62	550	570	66	111	410	410	284	570	405	730	-	290	317	E3-580
400-400(PN10)	Φ400	515	565	16-Φ26	500	325	360	31	62	620	665	84	113	490	510	362	780	560	960	-	440	483	E3-790

Note: The guide rod pipes, anchor bolts, and upper guide rod frame bolts need to be provided by the customer. Standard galvanized water pipes can be used as guide rods. 4 inches (100-100) and below are equipped with internal threaded flanges and bolts and nuts, 6 inches (150-150) and above are not equipped with internal threaded flanges and bolts and nuts

Internal thread

Coupling assembly	Material	50-50 (PN6)	65-65 (PN6)	80-80 (PN6)	100-100 (PN6)	100-100(PN10)
Coupling seat	Cast iron	DN40/DN50(PN6)	DN65(PN6)	DN80(PN6)	DN100(PN6)	DN100(PN10)
Coupling block	Cast iron	DN32/DN40/DN50(PN6)	DN65-65(PN6)	DN80-80(PN6)	DN100-100(PN6)	DN100-100(PN10)
*Flange gasket	Nitrile rubber	DN32/DN40/DN50(PN6)	DN65(PN6)	DN80(PN6)	DN100(PN6)	DN100(PN10)
*Bolt	Carbon steel	4-M12x55	4-M12x55	4-M16x60	4-M16x60	8-M16x60
*Spring pad	Carbon steel	4-Φ12	4-Φ12	4-Φ16	4-Φ16	8-Φ16
*Nut	Carbon steel	4-M12	4-M12	4-M16	4-M16	8-M16
*Anti-flange	Cast iron	G2(Internal thread) (Matching)	G2½(Internal thread) (Matching)	G3(Internal thread) (Matching)	DN100	DN100
*Flange gasket	Nitrile rubber	DN50(PN6)(Matching)	DN65(PN6)(Matching)	DN80(PN6)(Matching)	DN100(PN6)	DN100(PN6)
*Bolt	Carbon steel	4-M12x55(Matching)	4-M12x55(Matching)	4-M16x60(Matching)	4-M16x60	8-M16x60
*Spring pad	Carbon steel	4-Φ12(Matching)	4-Φ12(Matching)	4-Φ16(Matching)	4-Φ16	8-Φ16
*Nut	Carbon steel	4-M12(Matching)	4-M12(Matching)	4-M16(Matching)	4-M16	8-M16
Upper guide rod frame	Sheetmetal	DN50	DN65	DN80	DN100	DN100
Recommended reserved hole size for anchor bolts		80x80x270	80x80x270	80x80x270	100x100x350	100x100x350
*Guide rod	*Model	Φ32xΦ26	Φ42xΦ36	Φ42xΦ36	Φ45xΦ39	Φ45xΦ39
	Length	(Pool depth)-205mm	(Pool depth)-225mm	(Pool depth)-245mm	(Pool depth)-305mm	(Pool depth)-305mm
*Accessory pack (See below for details)		TOPJ-03	TOPJ-03	TOPJ-03	TOPJ-05t	TOPJ-05

Note: The mark * means that the accessories not included in the coupler need to be configured separately (Except for matching)

Internal thread

Coupling assembly	Material	150-150 (PN6)	150-150 (PN10)	200-200 (PN10)	250-250 (PN10)	300-300 (PN10)	400-400 (PN10)
Coupling seat	Cast iron	DN150(PN6)	DN150(PN10)	DN200(PN10)	DN250(PN10)	DN300(PN10)	DN400(PN10)
Coupling block	Cast iron	DN150-150(PN10)	150-150(PN10)	200-200(PN10)	250-250(PN10)	300-300(PN10)	400-400(PN10)
*Flange gasket	Nitrile rubber	DN150(PN6)	DN150(PN10)	DN200(PN10)	DN250(PN10)	DN300(PN10)	DN400(PN10)
*Bolt	Carbon steel	8-M16x60	8-M20x65	8-M20x80	12-M20x80	12-M20x100	16-M24x100
*Spring pad	Carbon steel	8-Φ16	8-Φ20	8-Φ20	12-Φ20	12-Φ20	16-Φ24
*Nut	Carbon steel	8-M16	8-M20	8-M20	12-M20	12-M20	16-M24
*Anti-flange	Cast iron	DN150	DN150	DN200	DN250	DN300	DN400
*Flange gasket	Nitrile rubber	DN150(PN6)	DN150(PN10)	DN200(PN10)	DN250(PN10)	DN300(PN10)	DN400(PN10)
*Bolt	Carbon steel	8-M16x60	8-M20x65	8-M20x80	12-M20x80	2-M20x100	16-M24x100
*Spring pad	Carbon steel	8-Φ16	8-Φ20	8-Φ20	12-Φ20	12-Φ20	16-Φ24
*Nut	Carbon steel	8-M16	8-M20	8-M20	12-M20	12-M20	16-M24
Upper guide rod frame	Sheetmetal or Cast iron	DN150	DN150	DN200	DN250	DN300	DN400
Recommended reserved hole size for anchor bolts		100x100x350	100x100x350	100x100x350	100x100x350	100x100x350	100x100x350
*Guide rod	*Model	Φ45x39	Φ45x39	Φ48x42	Φ48x42	Φ60x53	Φ60x53
	Length	(Pool depth)-380mm	(Pool depth)-380mm	(Pool depth)-460	(Pool depth)-480	(Pool depth)-590	(Pool depth)-790
*Accessory pack (See below for details)		≤22KW:TOPJ-05 30-45KW:TOPJ-06	≤22KW:TOPJ-05 30-45KW:TOPJ-06	≤22KW:TOPJ-08 30-45KW:TOPJ-09 55-75KW:TOPJ-10	≤22KW:TOPJ-08 30-45KW:TOPJ-09 55-75KW:TOPJ-10	30-45KW:TOPJ-09 55-75KW:TOPJ-10	30-45KW:TOPJ-09 55-75KW:TOPJ-10

Note: The mark * means that the accessories not included in the coupler need to be configured separately (Except for matching)

Accessory pack	Includes accessories		
	Anchor bolt	Expansion bolt	Chain specification
TOPJ-03	4-M16x220	2-M12x120	Φ5
TOPJ-05	4-M20x300	2-M12x120	Φ6
TOPJ-06	4-M20x300	2-M12x120	Φ8
TOPJ-08	4-M24x300	3-M14x120	Φ6
TOPJ-09	4-M24x300	3-M14x120	Φ8
TOPJ-10	4-M24x300	3-M14x120	Φ10

Remarks: The accessory package is optional and can be purchased separately when needed, separate inquiry required