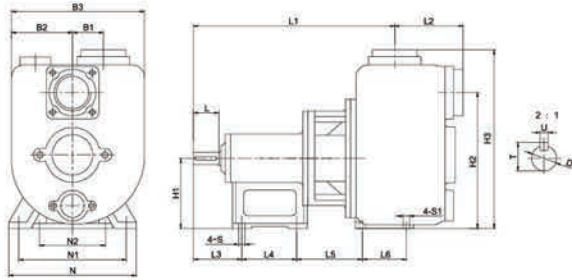
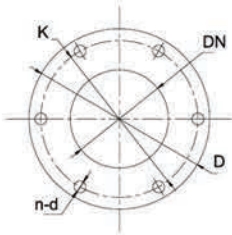


Dimension



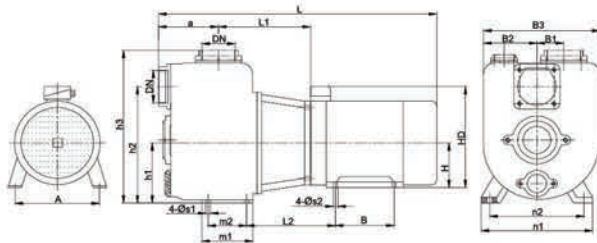
Model	Overall Dimensions						Installation Dimensions										Shaft			Weight kg		
	B1	B2	B3	L1	L2	H1	H2	H3	N2	N1	N	L	L3	L4	L5	L6	s1	s	T		U	D
LEJ80-215	70	139	303	458	155	160	310	410	150	245	290	60	110	125	150	100	Φ14	Φ14	31	8	Φ28	75

Flange Dimension



Model	Suction Flange(mm)				Discharge Flange(mm)			
	DN	D	K	n-d	DN	D	K	n-d
LEJ40-110	RP 1 1/2				RP 1 1/2			
LEJ50-120	RP 2				RP 2			
LEJ80-140	RP 3	-	-	-	RP 3	-	-	-
LEJ80-215								
LEJ100-160	RP 4	-	-	-	RP 4	-	-	-
LEJ100-250								
LEJ150-250	Φ150	Φ276	Φ240	6-Φ18	Φ150	Φ276	Φ240	6-Φ18
LEJ150-400	Φ150	Φ276	Φ240	6-Φ18	Φ150	Φ276	Φ240	6-Φ18
LEJ200-300	Φ200	Φ320	Φ280	8-Φ18	Φ200	Φ320	Φ280	8-Φ18

EJZ Series Installation Dimensions



Model	Motor(B34)		Installation Dimensions (mm)																		Weight(kg)									
	Model	kW	DN	B1	B2	B3	h1	h2	h3	h4	h5	n1	m2	n1	n2	a	L1	s1	s2	H	HD	A	B	L2	L	Pump	Motor	Total		
LEJ240-110-01102	Y2-802-2	1.1	1 1/2"	30	80	173	95	168	245							75	153.5		10	80	215	125	100		485	17	17	34		
LEJ250-120-02202	Y2-90L-2	2.2	2"	36	94	210	105	201	321							114	185			90	235	140	125		595	27	25	52		
LEJ280-140-04002	Y2-112M-2	4	3"	45	110	240	132	287	380	115	80	245	200	148	202.5	14	12	112	284	190	140	253	763	50	64	114	90	48	42	90
LEJ280-140-05502	Y2-132S1-2	5.5																												
LEJ280-215-04004	Y2-112M-4	4	70	139	303	160	310	410	133	100	290	245	156	239					112	284	190		226	735	67	46	113			
LEJ2100-160-15002	Y2-160M2-2	15	4"	37	150	300	160	341	462							180	283.5		15	160	406	254	210		969	125	107	232		
LEJ2100-250-07504	Y2-132M-4	7.5		160	180	420	200	350	487	145	95	340	295	275	226.5	14	12	132	324	216	178	331.5	932	135	77	212				

Applications

- Waste Water Treatment Plant
- Marine, Cooling, Circulation
- Smoke Scrubbing
- Marine - Ballasting & Bilge

Design & Structure

- Design: Performance and Dimensions referring to the European standard
- Structure: Semi-open impeller, Single-Suction, Self-priming, Maintenance Hole, Wear Plate
- Pump casings are casted with flanges: Screw flange for discharge size <100 mm
- DN(mm): 50-250(mm)

Working Conditions

- Conveying medium: Neutral, acid or alkali clean or dirty liquids, containing sand, mud or solids in suspension
- Speed: 1500-3000 rpm
- Flow range: 7-1000 m³/h
- Head range: 2-44 m
- Suction depth: 3-7m
- Solids Size: 45-76mm
- Max. Liquid temperature: 85°C
- Max. operation pressure: 6 bar

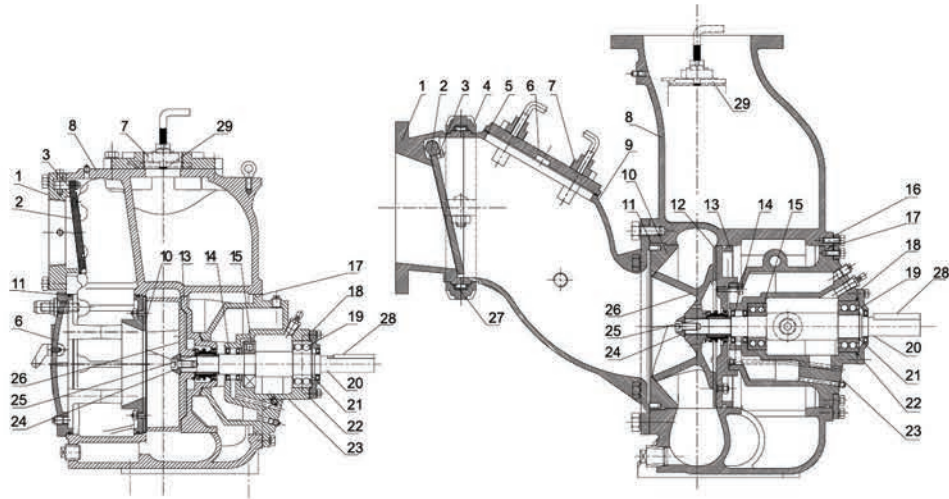


Identification Codes

LEJT - 8

- Outlet Diameter (inch)
- LEO Self-priming Sewage Pump

Material Table

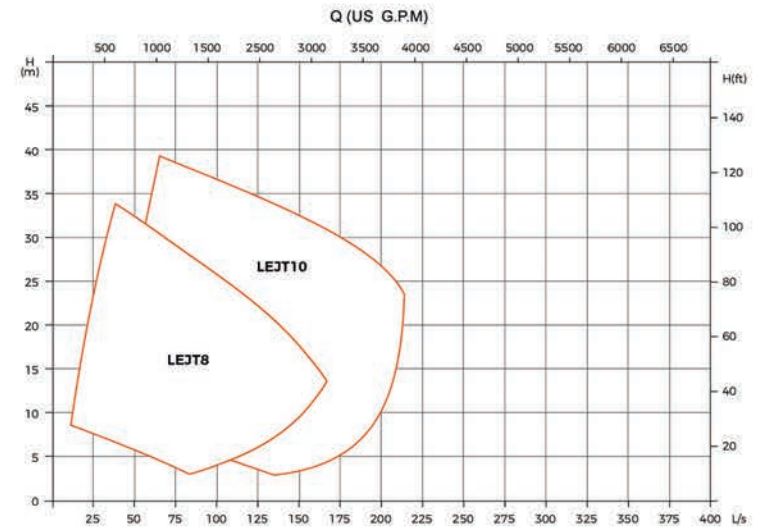
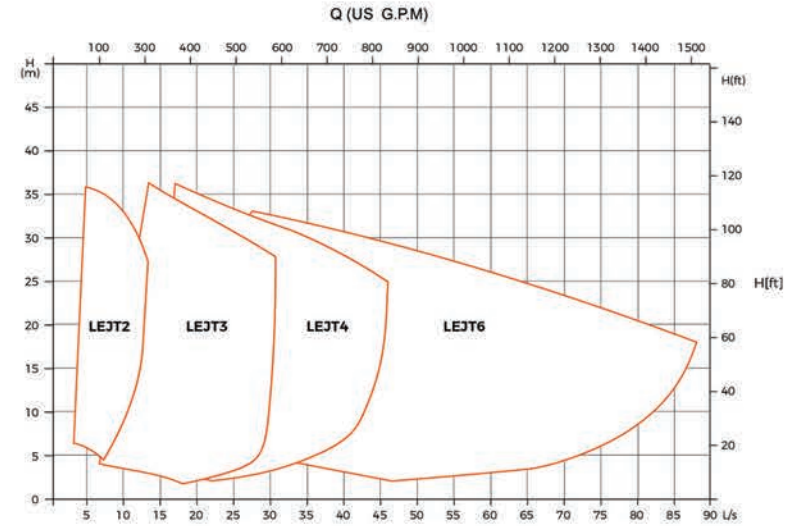


No.	Part
1	Suction Flange
2	Flap Valve
3	Locking block
4	Clamp
5	Gasket
6	Clean Out Cover
7	Locking plate
8	Casing
9	Suction Head
10	Front Wear Plate

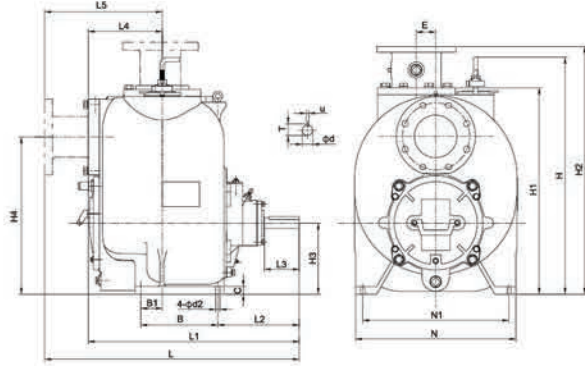
No.	Part
11	O Ring
12	Rear Wear Plate
13	Casing Cover
14	LIP SEAL
15	Ball Bearing
16	Bearing Housing Plate
17	O Ring
18	Bearing Cover
19	Bearing
20	Shaft

No.	Part
21	External Circlips
22	O Ring
23	Bearing Housing
24	Wear ring retainer
25	Seal Assembly
26	Impeller
27	Clamp Gasket
28	Key
29	Add water cover

Characteristic Curves

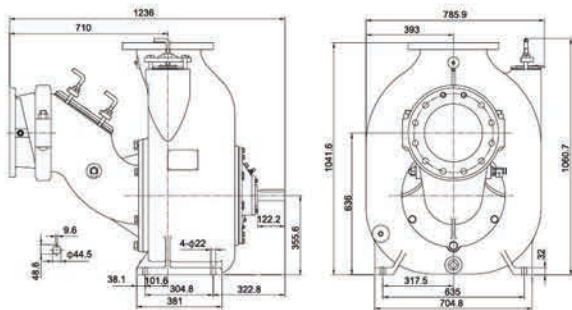


Dimension



Model	B	B1	C	E	H	H1	H2	H3	H4	L	L1	L2	L3	L4	L5	N	N1	d	u	T	d2	Weight (kg)
LEJT2	182.6	50.8	17.5	44.4	535	452.4	551.7	152.4	342.9	627	521	226	90	163	269	324	295.1	28.4	6.4	31.4	14	112
LEJT3	228.6	76.2	19	69.8	670	564.6	686.8	190.5	431.8	732	624	287	102	186	294	432	393.7	38.1	9.6	42.1	18	190
LEJT4	279.4	77.8	25.4	69.8	756	654	743	222.2	495.3	814	723	295	127	228	319	508	457.2	38.1	9.6	42.1	18	260
LEJT6	279.4	77.8	27	69.8	854	759	896	257	568.4	901	763	295	127	268	406	578	527	38.1	9.6	42.1	18	405
LEJT8	304.8	101.6	32	-	978	960	1068	330.2	723.9	1021	950	410	171	342	413	705	635	44.5	9.6	48.6	22	660

Flange Dimension (ISO7005.2 DIN2501 GB/T17241.6 PN16)



LEJT10 Installation Dimensions

Model	Inlet(mm)				Outlet(mm)			
	DN	D	K	n-d	DN	D	K	n-d
LEJT2	DN50	165	125	4-Φ18	DN50	165	125	4-Φ18
LEJT3	DN80	200	160	8-Φ18	DN80	200	160	8-Φ18
LEJT4	DN100	220	180	8-Φ18	DN100	220	180	8-Φ18
LEJT6	DN150	285	240	8-Φ22	DN150	285	240	8-Φ22
LEJT8	DN200	340	295	12-Φ22	DN200	340	295	12-Φ22
LEJT10	DN250	409	355	12-Φ26	DN250	409	355	12-Φ26

Model	Speed(rpm)	Q(m ³ /h)	10	12.5	15	17.5	20	25	30	35	40	45		
LEJT2	1150	H (m)	5.1	4.9	4.6	4.5	4.3	3.8						
	1450		8.2	8	7.7	7.4	7.2	6.6	6.2	5.9				
	1750		12.2	11.9	11.5	11.4	11	10.4	9.8	9.2	8.4			
	2050		17.1	16.7	16.4	16.1	15.7	14.9	14.2	13.5	12.7	11.8		
	2350			22.3	21.9	21.5	21.1	20.3	19.4	18.6	17.8	17		
	2650			29.1	28.6	28.1	27.6	26.6	25.6	24.5	23.4	22.6		
2900			34.3	33.7	33.2	32.1	31	29.9	29	28.2				
LEJT3	650	H (m)	3.3	2.9	2.6	2.1								
	750		4.5	4	3.5	3	2.4							
	850		5.8	5.2	4.7	4.2	3.5	2.8						
	950		7.1	6.5	6	5.4	4.8	4	3.1					
	1050		8.9	8.2	7.6	7	6.3	5.4	4.5	3.6				
	1150		10	9.4	8.6	7.8	6.9	5.9	5	4.1				
	1250		11.8	11.1	10.3	9.5	8.7	7.8	6.8	5.8				
	1350		14	13.2	12.4	11.6	10.6	9.5	8.4	7.4				
	1450		16.2	15.2	14.2	13.4	12.4	11.4	10.3	9.3				
	1550		18.6	17.4	16.4	15.5	14.6	13.6	12.5	11.4				
	1650		20.9	20	19.1	18.1	17	15.9	14.7	13.6				
	1750			22.3	21.3	20.3	19.3	18.2	17.1	15.9	14.7			
	1850			25.2	24	23.1	22.1	21.1	19.9	18.6	17.6			
	1950			28.3	27.1	26	24.9	23.8	22.6	21.3	20.2			
2050		31.1	30.1	29.1	28.1	27	25.8	24.6	23.4					
2150			33.2	32.1	31.1	30	28.8	27.6	26.5					
LEJT4	650	H (m)	4.1	3.8	3.3	2.2								
	750		5.5	5.1	4.6	3.8	2.7							
	850		7.2	6.6	6.2	5.5	4.6	3.3						
	950		8.3	7.6	7	6.4	5.4	4.1						
	1050		10.2	9.5	8.8	8.2	7.5	6.3						
	1150		12.4	11.7	10.9	10.1	9.4	8.4	7					
	1250		14.9	13.9	12.9	12.1	11.4	10.5	9.2	7.8				
	1350			16.5	15.4	14.5	13.6	12.7	11.6	10.3				
	1450			19.3	18.1	17	16.1	15.3	14.1	12.7				
	1550			21.6	20.6	19.6	18.7	17.6	16.3	14.9	13.3			
	1650			24.8	23.6	22.6	21.6	20.6	19.4	17.8	15.7			
	1750			28.1	26.9	25.9	24.8	23.7	22.5	21	19.2			
	1850			31.6	30.2	29	28	26.9	25.6	24.1	21.9			
	1950			35.4	34.1	32.8	31.5	30.3	29	27.6	25.7			
LEJT6	650	H (m)	5.7	5	3.9	2.9								
	750		7.8	7.1	5.9	4.9	3.5							
	850		10.3	9.5	8.2	7.1	5.8	4.2						
	950		12.8	12	10.6	9.4	8.2	6.6	4.9					
	1050		15.8	14.9	13.5	12.3	10.9	9.4	7.6	5.7				
	1150		18.8	17.9	16.5	15.3	13.9	12.3	10.6	8.6				
	1250		22.4	21.5	20	18.7	17.2	15.5	13.8	11.9	9.6			
	1350		25.2	23.3	22.2	20.6	18.8	17	15.2	13.1				
	1450		29.1	27.6	26.1	24.3	22.5	20.7	18.8	16.6				
	1550			31.7	30.2	28.5	26.7	24.8	22.9	20.8	18.5			
	LEJT8		650	H (m)	7.4	6.4	5.5	4.4	3.1					
			750		10.2	9.2	8.2	7	5.6	4.1				
			850		13	12	10.9	9.8	8.5	7	5.1			
			950		16.5	15.4	14.2	12.9	11.6	10.2	8.4	6.1		
1050		20.4	19.1		17.8	16.5	15	13.4	11.6	9.3				
1150		24.7	23.2		21.7	20.2	18.7	17.1	15.4	13.5	11.2			
1250		28.2	26.5		24.8	23.1	21.2	19.3	17.3	15.1	12.3			
1350		33.6	31.9		30.1	28.3	26.4	24.6	22.4	20.4	17.8			
LEJT10		650	H (m)		7	5.9	4.4	3.4						
		750			9.8	8.7	7	6.1	5.2	3.7				
		850			12.7	11.6	10.1	9.2	8.1	6.6	5.1			
		950			16.2	14.8	13.2	12.2	11.2	10	8.6	6.6		
		1050			20.2	18.7	17.2	16.2	15.1	13.9	12.5	11	8.7	
		1150			24.5	23	21.3	20.2	19.3	18.4	17.2	15.4	13.3	
	1250	29.6		27.8	26	25	24	22.8	21.5	20.1	18.4	16.1		
	1350	32.9		31	29.9	28.6	27.3	25.8	24.2	22.6	20.2			
	1450	38.1		36.3	35	33.7	32.4	31.1	29.5	27.9	25.7			