



Application

- Can be used to transfer clean water or other liquids similar to water in physical and chemical properties.
- Suitable for industrial use and urban water supply, pressure boosting for high buildings and fire fighting, garden irrigation, long-distance water transfer, heating ventilation and air conditioning, circulation and pressure boosting for cold and hot water, and supporting equipment etc.

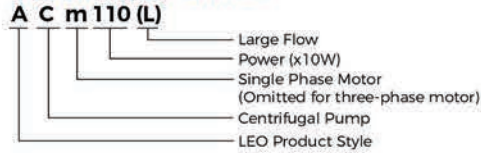
Pump

- Cast iron pump body and support under special anti-rust treatment
- AISI 304 shaft
- Max. liquid temperature: +60°C
- Max. suction: +8 m

Motor

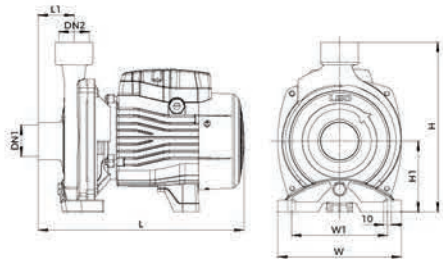
- Low noise & Long life bearing
- Motor with copper winding
- Built-in thermal protector for single phase motor
- Insulation class: F
- Enclosures class: IPX4
- Max. ambient temperature: +50°C
- IE 2 motor (Three phase, power ≥ 0.75kW)

Identification Codes



Technical Data

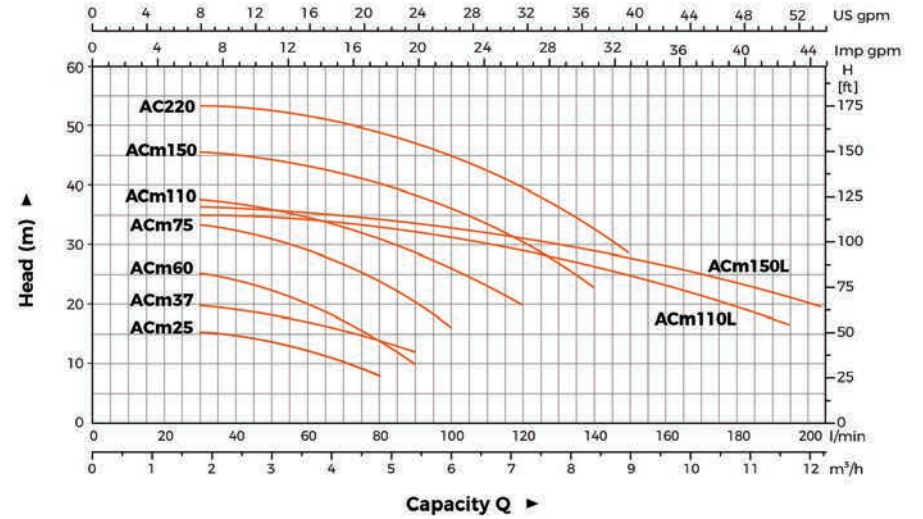
Model	Power	Q(m³/h)	H (m)																					
			0	0.6	0.9	1.2	1.8	2.4	3.0	3.6	4.2	4.5	4.8	5.4	6.0	6.6	7.2	7.8	8.4	9.0	9.6	10.8	11.7	12.6
ACm25	0.25	0.3	17	16.5	16.2	16	15.5	14.5	13.5	12.5	10.5	9.5	8	-	-	-	-	-	-	-	-	-	-	-
ACm37	0.37	0.5	23	21.5	21	21	20.5	19.5	18	17	15.5	14.5	14	12	-	-	-	-	-	-	-	-	-	-
ACm60	0.5	0.8	27	26.5	26.2	26	25	24.5	22.5	20	17	15.5	14	10	-	-	-	-	-	-	-	-	-	-
ACm75	0.75	1	36	35	34	33.5	33	32	31	29	27	26	23.5	20	16	-	-	-	-	-	-	-	-	-
ACm110	1.1	1.5	40	39	38	38	37.5	37	36	35	33	32	31	29	26	23	20	-	-	-	-	-	-	-
ACm150	1.5	2	48	47.5	47	46.5	45.5	44.5	43.5	42.5	41.5	41	40.5	39	37	34.5	31	27	22	-	-	-	-	-
AC220	2.2	3	55	54.5	53	53.5	53	52.5	51.5	50.5	49.5	48	48.5	47	45.5	43.5	40	36.5	32.5	28	-	-	-	-
ACm110L	1.1	1.5	34.5	34.3	34.2	34.1	34	33.8	33.5	33	32.5	32.3	32	31	30.5	29.5	28.5	27.5	26.5	25	23.5	20	16.5	-
ACm150L	1.5	2	37.5	37.2	37	36.9	36.6	36.2	35.8	35.4	35	34.8	34.7	34	33.3	32.5	31.5	30.5	29.5	28.2	27	24	21	19



Dimension

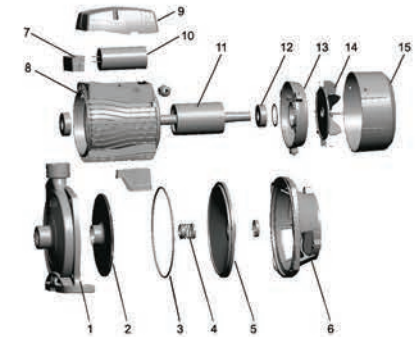
Model	DN1	DN2	L (mm)	W (mm)	H (mm)	L1 (mm)	W1 (mm)	H1 (mm)
ACm25	1"	1"	257	157	216	40	123	90
ACm37			257	157	216	40	123	90
ACm60			303	190	240	45	160	100
ACm75	1 1/4"	1"	303	190	240	45	160	100
ACm110			359	206	265	50	178	112
ACm150			360	240	286	52	207	115
AC220	1 1/2"	1"	360	240	286	52	207	115
ACm110L			359	206	265	50	178	112
ACm150L			359	206	265	50	178	112

Hydraulic Performance Curves



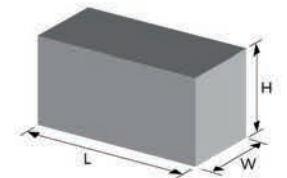
Material Table

No.	Part	Material	No.	Part	Material
1	Pump body	HT 200	11	Rotor	
2	Impeller	AISI304/Brass	12	Bearing	
3	O-ring	NBR	13	Rear cover	ZL102
4	Mechanical seal	Carbon/Ceramic	14	Fan	PP
5	Support cover	AISI304/HT200	15	Fan cover	PP
6	Support	ZL102			
7	Terminal board	PC			
8	Stator				
9	Terminal box	PA6-GF25			
10	Capacitor				



Package Information

Model	GW (Kgs)	L (mm)	W (mm)	H (mm)	Quantity (PCS/20'TEU)
ACm25	8.3	290	185	239	2124
ACm37	8.8	290	185	239	2124
ACm60	11.3	333	215	274	1384
ACm75	13.4	333	215	274	1384
ACm110	18	383	233	301	987
ACm150	22	425	265	324	770
AC220	23.3	425	265	310	770
ACm110L	18.6	383	233	287	987
ACm150L	19.5	383	233	287	987





Application

- Can be used to transfer clean water or other liquids similar to water in physical and chemical properties
- Suitable for industrial use and urban water supply, pressure boosting for high buildings and fire fighting, garden irrigation, long-distance water transfer, heating ventilation and air conditioning, circulation and pressure boosting for cold and hot water, and supporting equipment etc.

Pump

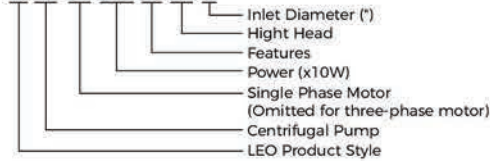
- Cast iron pump body and support under special anti-rust treatment
- AISI 304 shaft
- Max. liquid temperature: +60°C
- Max. suction: +8 m

Motor

- Low noise&Long life bearing
- Motor with copper winding
- Insulation class: F
- Enclosures class: IPX4
- Max.ambient temperature: +50°C
- IE2 motor
(Three phase, power ≥ 0.75kW, AC750C2 and AC750C4 excluded)

Identification Codes

A C m 220 C (H) 2

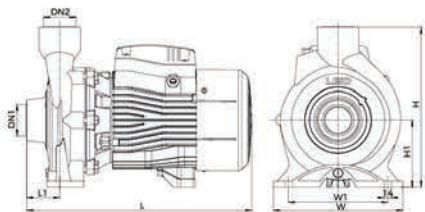


Technical Data

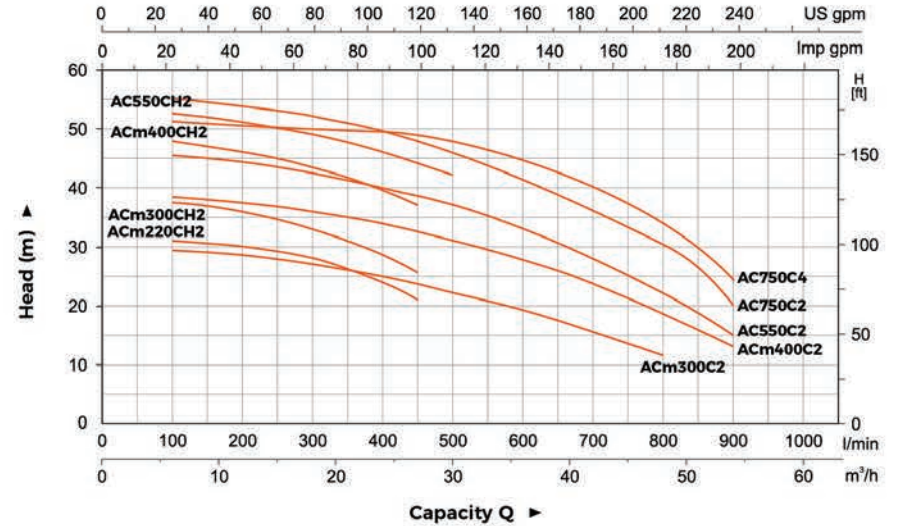
Model		Power		Q(m ³ /h)														
Single Phase	Three Phase	KW	HP	0	6	9	12	15	18	24	27	30	36	42	48	54		
				Q(l/min)	0	100	150	200	250	300	400	450	500	600	700	800	900	
ACm220CH2	AC220CH2	2.2	3	H (m)	31	30	29.5	28.5	27.5	26	21.5	18.5	-	-	-	-	-	
ACm300CH2	AC300CH2	3	4		38	37.5	37	36	34.5	33	28.5	25.5	-	-	-	-	-	-
ACm400CH2	AC400CH2	4	5.5		49	48	47	46	45	43.5	39.5	37	-	-	-	-	-	-
-	AC550CH2	5.5	7.5		54	52.5	52	51	50	49	46	44	42	-	-	-	-	-
ACm300C2	AC300C2	3	4		30	29.5	29	28.5	28	27	25	23.5	22	19.5	15.5	11.5	-	-
ACm400C2	AC400C2	4	5.5		39	38.5	38	37.5	37	36	34	32.5	31	28	24	18.5	13	-
-	AC550C2	5.5	7.5		46.5	45.5	45	44.5	43.5	42.5	40	38.5	37	33	28	22	15	-
-	AC750C2	7.5	10		56.5	55	55	54.5	53.5	52.5	50	48.5	46.5	42	36.5	30.5	20	-
-	AC750C4	7.5	10		52.5	52	52	51.5	51	50.5	48	46.5	44.5	40	35.5	30.5	24	-

Dimension

Model	DN1	DN2	L (mm)	W (mm)	H (mm)	L1 (mm)	W1 (mm)	H1 (mm)		
AC(m)220CH2	2"	2"	445	255	316	66	186	132		
AC(m)300CH2			445	255	316	66	186	132		
AC(m)400CH2			499	280	327	71	216	136		
AC550CH2			499	280	327	71	216	136		
AC(m)300C2			445	255	316	66	186	132		
AC(m)400C2			499	280	327	71	216	136		
AC550C2			499	280	327	71	216	136		
AC750C2			515	290	361	86	216	150		
AC750C4			4"	3"	525	290	361	96	216	150

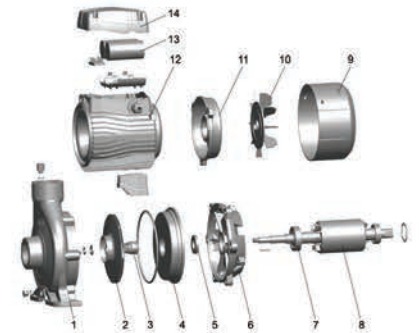


Hydraulic Performance Curves



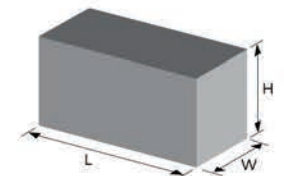
Material Table

No.	Part	Material	No.	Part	Material
1	Pump body	HT 200	10	Fan	PP
2	Impeller	AISI304/Brass	11	Rear cover	ZL102
3	Mechanical seal	Carbon/Ceramic	12	Stator	
4	Bracket cover	HT200	13	Capacitor	
5	Oil seal		14	Terminal box	PA6-CF25
6	Support	HT200			
7	Bearing				
8	Rotor				
9	Fan cover	PP			



Package Information

Model	GW (Kgs)	L (mm)	W (mm)	H (mm)	Quantity (PCS/20' TEU)
AC(m)220CH2	39.1	507	304	372	486
AC(m)300CH2	41.8	507	304	372	478
AC(m)400CH2	56.5	562	328	383	345
AC550CH2	57.1	562	328	383	345
AC(m)300C2	41.6	507	304	372	483
AC(m)400C2	57.5	562	328	383	345
AC550C2	55.5	562	328	383	345
AC750C2	62	587	338	417	305
AC750C4	63.7	587	338	417	305





Application

- Can be used to transfer clean water or other liquids similar to water in physical and chemical properties
- Suitable for industrial use and urban water supply, pressure boosting for high buildings and fire fighting, garden irrigation, long-distance water transfer, heating ventilation and air conditioning, circulation and pressure boosting for cold and hot water, and supporting equipment etc.

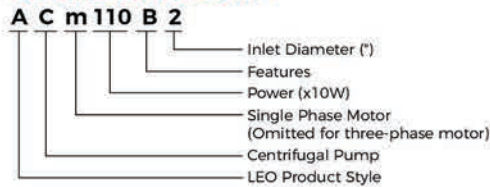
Pump

- Cast iron pump body and support under special anti-rust treatment
- AISI 304 shaft
- Max. liquid temperature: +60°C
- Max. suction: +8 m

Motor

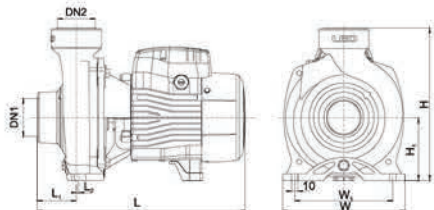
- Low noise&Long life bearing
- Motor with copper winding
- Built-in thermal protector for single phase motor
- Insulation class: F
- Enclosures class: IPX4
- Max.ambient temperature: +50°C
- IE 2 motor (Three phase, power ≥ 0.75kW)

Identification Codes



Technical Data

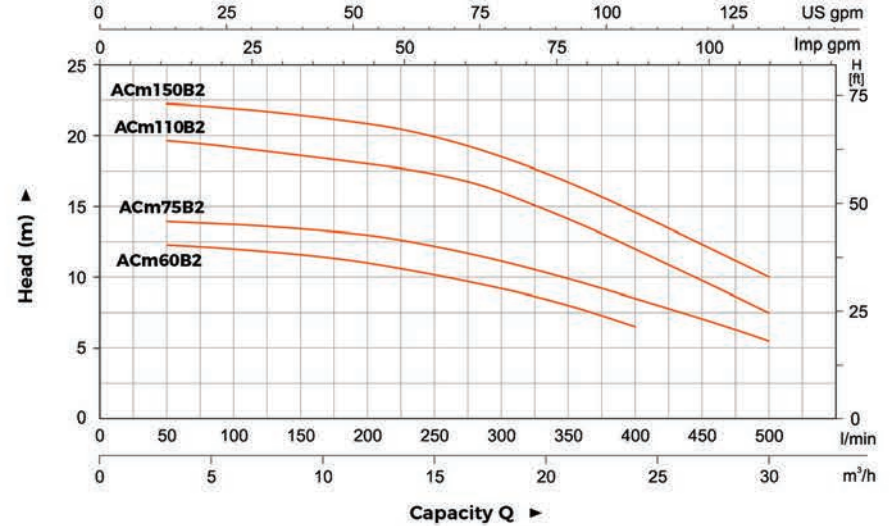
Model		Power		Q(m³/h)	0	6	9	12	15	18	21	24	30
Single Phase	Three Phase	KW	HP	Q(l/min)	0	100	150	200	250	300	350	400	500
ACm60B2	AC60B2	0.6	0.8	H (m)	12.5	12	11.7	11	10.2	9.2	8	6.5	-
ACm75B2	AC75B2	0.75	1		14	13.7	13.5	13	12.3	11.2	9.9	8.5	5.5
ACm110B2	AC110B2	1.1	1.5		19.5	19.2	19	18.5	17.7	16.5	15	13	8.5
ACm150B2	AC150B2	1.5	2		22	21.5	21	20.5	19.5	18.3	16.5	14.5	9.5



Dimension

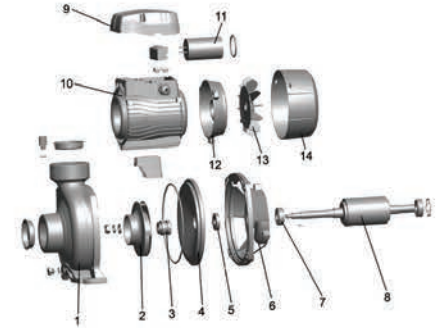
Model	DN1	DN2	L (mm)	W (mm)	H (mm)	L1 (mm)	L2 (mm)	W1 (mm)	H1 (mm)
AC(m)60B2	2"	2"	336	195	240	62.5	4	156	100
AC(m)75B2			336	195	240	62.5	4	156	100
AC(m)110B2			378	206	263	59	3.5	166	112
AC(m)150B2			378	206	263	59	3.5	166	112

Hydraulic Performance Curves



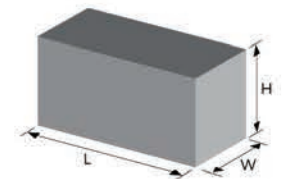
Material Table

No.	Part	Material	No.	Part	Material
1	Pump body	HT 200	10	Stator	
2	Impeller	AISI304/Brass	11	Capacitor	
3	Mechanical seal	Carbon/Ceramic	12	Rear cover	ZL102
4	Support cover	HT200	13	Fan	PP
5	Oil seal		14	Fan cover	PP
6	Support	ZL200			
7	Bearing				
8	Rotor				
9	Terminal box	PA6-GF25			



Package Information

Model	CW (Kgs)	L (mm)	W (mm)	H (mm)	Quantity (PCS/20'TEU)
AC(m)60B2	13.1	375	214	265	1264
AC(m)75B2	14.2	375	214	265	1264
AC(m)110B2	19.9	415	255	285	945
AC(m)150B2	20.7	415	255	285	945





Application

- Can be used to transfer clean water or other liquids similar to water in physical and chemical properties
- Suitable for industrial use and urban water supply, pressure boosting for high buildings and fire fighting, garden irrigation, long-distance water transfer, heating ventilation and air conditioning, circulation and pressure boosting for cold and hot water, and supporting equipment etc.

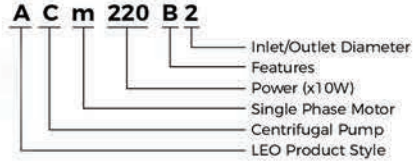
Pump

- Cast iron pump body and support under special anti-rust treatment
- AISI304 welding shaft
- Max. liquid temperature: +60°C
- Max.suction: + 8m

Motor

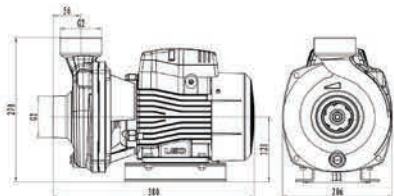
- Low noise&Long life bearing
- Motor with copper winding
- Built-in thermal protector
- Insulation class: F
- Enclosures class: IPX4
- Max. ambient temperature: +50°C
- S1 Duty

Identification Codes



Technical Data

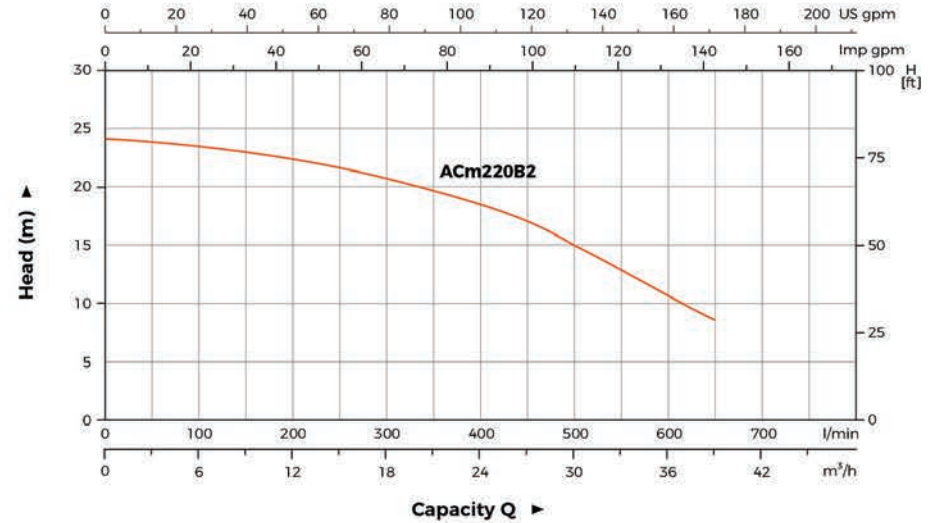
Model	Power		Q(m ³ /h)	Q(l/min)										
	kW	HP		0	6	12	18	19	24	30	36	38.9		
ACm220B2	2.2	3.0	H(m)	0	100	200	300	316.7	400	500	600	648.3		
				23.9	23.8	22.7	21.1	20.9	18.6	15.2	10.1	8.2		



Dimension

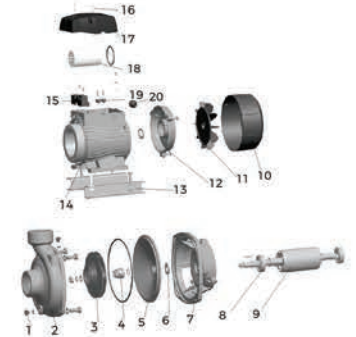
Model	DN1	DN2	L (mm)	W (mm)	H (mm)	W1 (mm)	H1 (mm)
ACm220B2	2"	2"	380	206	270	122	121

Hydraulic Performance Curves



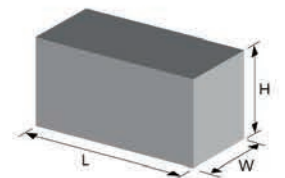
Material Table

No.	Part	Material	No.	Part	Material
1	Filling plug	Copper	12	Rear cover	ZL102
2	Pump body	HT200	13	Base	65Mn
3	Impeller	Brass	14	Stator	
4	Mechanical seal	Carbon/Ceramic	15	Terminal board	PC+ABS
5	Support Cover	HT200	16	Screw	
6	Water proof ring		17	Terminal box	PA6-GF25
7	Support	ZL102	18	Capacitor	
8	Bearing		19	Pressure clamp	PC+ABS
9	Rotor		20	Cable Holder	
10	Fan cover	PP			
11	Fan	PP			



Package Information

Model	GW (Kgs)	L (mm)	W (mm)	H (mm)	Quantity (PCS/20TEU)
ACm220B2	23	416	248	286	819





Application

- Can be used to transfer clean water or other liquids similar to water in physical and chemical properties.
- Suitable for industrial use and urban water supply, pressure boosting for high buildings and fire fighting, garden irrigation, long-distance water transfer, heating ventilation and air conditioning, circulation and pressure boosting for cold and hot water, and supporting equipment etc.

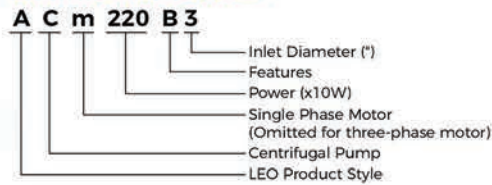
Pump

- Cast iron pump body and support under special anti-rust treatment
- AISI 304 shaft
- Max. liquid temperature: +60°C
- Max.suction: + 8m

Motor

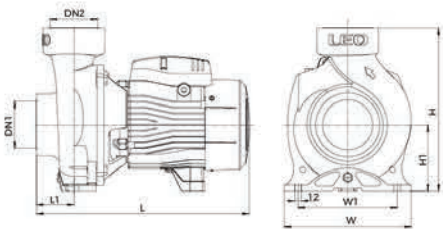
- Low noise&Long life bearing
- Motor with copper winding
- Built-in thermal protector for single phase motor (≤1.5kW)
- Insulation class: F
- Enclosures class: IPX4
- Max. ambient temperature: +50°C
- IE 2 motor (Three phase, power ≥ 0.75kW)

Identification Codes



Technical Data

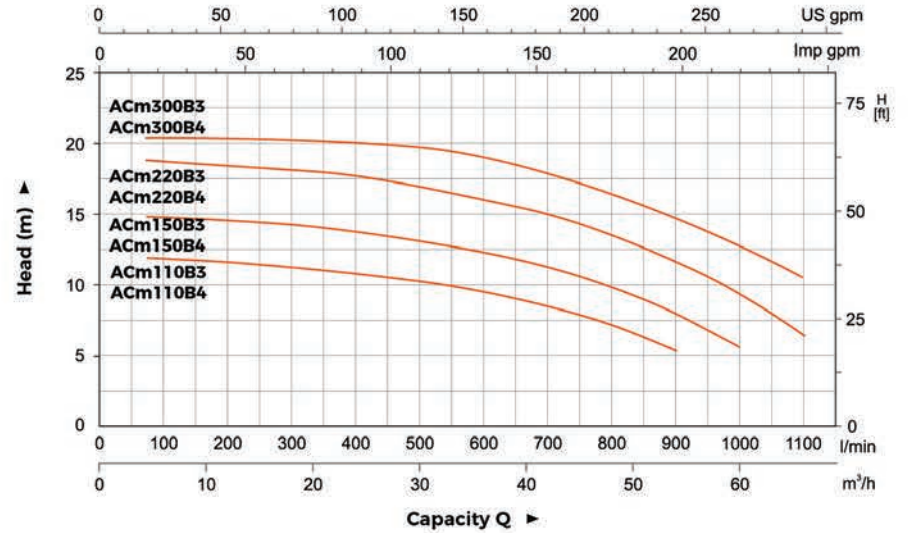
Model		Power	Q(m³/h)												
Single Phase	Three Phase	kW	HP	0	12	18	24	30	36	42	48	54	60	66	71
ACm110B3	AC110B3	1.1	1.5	12.5	12.5	12.1	11.5	10.5	9.5	8.4	7.1	5.5	-	-	-
ACm110B4	AC110B4	1.1	1.5	12.5	12.5	12.1	11.5	10.5	9.5	8.4	7.1	5.5	-	-	-
ACm150B3	AC150B3	1.5	2	14.5	14.3	14	13.5	12.8	12	11.2	9.9	8.4	6	-	-
ACm150B4	AC150B4	1.5	2	14.5	14.3	14	13.5	12.8	12	11.2	9.9	8.4	6	-	-
ACm220B3	AC220B3	2.2	3	17.5	17.3	17.1	16.5	16	15.2	14.2	13.2	11.7	10	7.2	-
ACm220B4	AC220B4	2.2	3	17.5	17.3	17.1	16.5	16	15.2	14.2	13.2	11.7	10	7.2	-
ACm300B3	AC300B3	3	4	20	19.8	19.6	19.5	19	18.3	17.5	16.2	14.6	13	11.5	10
ACm300B4	AC300B4	3	4	20	19.8	19.6	19.5	19	18.3	17.5	16.2	14.6	13	11.5	10



Dimension

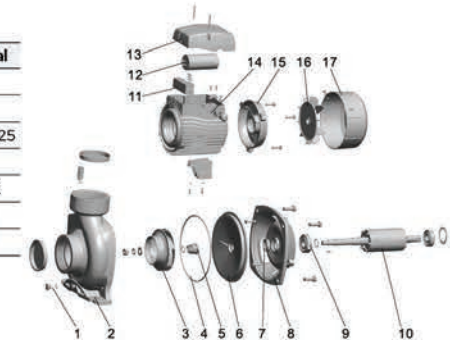
Model	DN1	DN2	L (mm)	W (mm)	H (mm)	L1 (mm)	W1 (mm)	H1 (mm)
AC(m)110B3	3"	3"	385	230	296	69	180	120
AC(m)110B4	4"	4"	392	230	296	76	180	120
AC(m)150B3	3"	3"	385	230	296	69	180	120
AC(m)150B4	4"	4"	392	230	296	76	180	120
AC(m)220B3	3"	3"	455	230	296	69	180	120
AC(m)220B4	4"	4"	462	230	296	76	180	120
AC(m)300B3	3"	3"	455	230	296	69	180	120
AC(m)300B4	4"	4"	462	230	296	76	180	120

Hydraulic Performance Curves



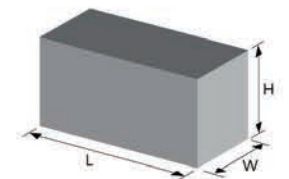
Material Table

No.	Part	Material	No.	Part	Material
1	Filing plug	HPb59-1	11	Terminal board	PC
2	Pump body	HT200	12	Capacitor	
3	Impeller	Brass	13	Terminal box	PA6-GF25
4	O-ring	NBR	14	Stator	
5	Mechanical seal	Carbon/Ceramic	15	Rear cover	ZL102
6	Bracket cover	HT200	16	Fan	PP
7	Oil seal		17	Fan cover	PP
8	Support	HT200			
9	Bearing				
10	Rotor				



Package Information

Model	GW (Kgs)	L (mm)	W (mm)	H (mm)	Quantity (PCS/20'TEU)
AC(m)110B3	26.3	433	255	332	684
AC(m)110B4	29.5	433	255	332	675
AC(m)150B3	27.2	433	255	332	684
AC(m)150B4	30.4	433	255	332	655
AC(m)220B3	36.5	522	288	352	510
AC(m)220B4	40.8	522	288	352	496
AC(m)300B3	39.8	522	288	352	506
AC(m)300B4	43.3	522	288	352	467





Application

- Can be used to transfer clean water or other liquids similar to water in physical and chemical properties
- Suitable for industrial use and urban water supply, pressure boosting for high buildings and fire fighting, garden irrigation, long-distance water transfer, heating ventilation and air conditioning, circulation and pressure boosting for cold and hot water, and supporting equipment etc.

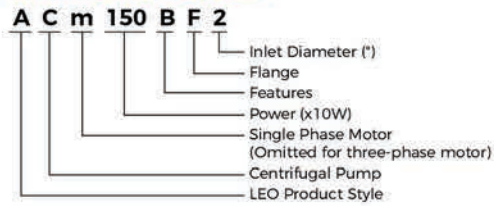
Pump

- Cast iron pump body and support under special anti-rust treatment
- AISI 304 shaft
- Max. liquid temperature: +60°C
- Max.suction: + 8m

Motor

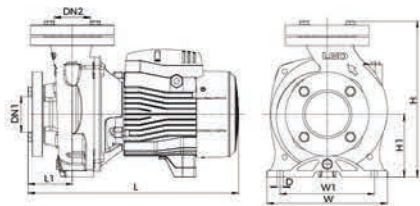
- Low noise&Long life bearing
- Motor with copper winding
- Built-in thermal protector for single phase motor (≤1.5kW)
- Insulation class: F
- Enclosures class: IPX4
- Max. ambient temperature: +50°C
- IE 2 motor (Three phase, power ≥ 0.75kW)

Identification Codes



Technical Data

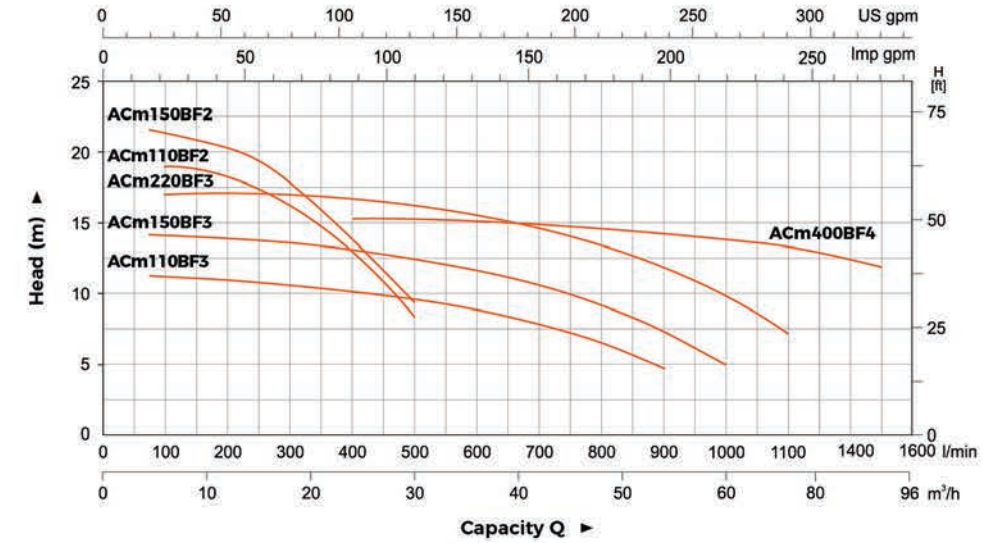
Model		Power		Q(m³/h)													
Single Phase	Three Phase	kW	HP	0	12	18	24	30	36	42	48	54	60	66	72	84	96
				Q(l/min)													
				0	200	300	400	500	600	700	800	900	1000	1100	1200	1400	1600
ACm110BF2	AC110BF2	1.1	1.5	19.5	18.5	16.5	13	8.5	-	-	-	-	-	-	-	-	-
ACm110BF3	AC110BF3	1.1	1.5	12.5	12.5	21.1	11.5	10.5	9.5	8.4	7.1	5.5	-	-	-	-	-
ACm150BF2	AC150BF2	1.5	2	22	20.5	18.3	14.5	9.5	-	-	-	-	-	-	-	-	-
ACm150BF3	AC150BF3	1.5	2	14.5	14.3	14	13.5	12.8	12	11.2	9.9	8.4	6	-	-	-	-
ACm220BF3	AC220BF3	2.2	3	17.5	17.3	17.1	16.5	16	15.2	14.2	13.2	11.7	10	7.2	-	-	-
ACm400BF4	AC400BF4	4	5.5	16.5	-	-	16	15.8	15.5	15.3	15.3	15	14.7	14.4	14	13.2	12.1



Dimension

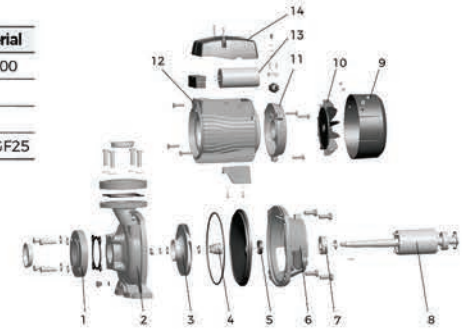
Model	DN1	DN2	L (mm)	W (mm)	H (mm)	L1 (mm)	W1 (mm)	H1 (mm)	D (mm)
AC(m)110BF2	2"	2"	389	206	268	63	166	112	10
AC(m)110BF3	3"	3"	400	230	298	84	180	120	12
AC(m)150BF2	2"	2"	389	206	267	63	166	112	10
AC(m)150BF3	3"	3"	400	230	298	84	180	120	12
AC(m)220BF3	3"	3"	470	230	298	84	180	120	12
AC(m)400BF4	4"	4"	565	281	400	117	206	160	16

Hydraulic Performance Curves



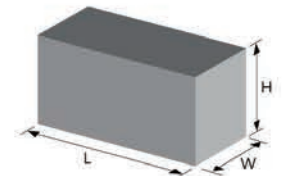
Material Table

No.	Part	Material	No.	Part	Material
1	Flange	HT200	11	Rear cover	HT200
2	Pump body	HT200	12	Stator	
3	Impeller	AISI304/Brass HT200	13	Capacitor	
4	Mechanical seal	Carbon/Ceramic	14	Terminal box	PA6-GF25
5	Oil seal				
6	Support	HT200			
7	Bearing				
8	Rotor				
9	Fan cover	PP			
10	Fan	PP			



Package Information

Model	GW (Kgs)	L (mm)	W (mm)	H (mm)	Quantity (PCS/20'TEU)
AC(m)110BF2	22.2	414	230	300	900
AC(m)110BF3	24	414	230	300	833
AC(m)150BF2	31.5	433	255	332	634
AC(m)150BF3	32.5	433	255	332	615
AC(m)220BF3	41.7	522	288	352	500
AC(m)400BF4	72.8	658	330	457	204





Application

- Can be used to transfer clean water or other liquids similar to water in physical and chemical properties
- Suitable for industrial use and urban water supply, pressure boosting for high buildings and fire fighting, garden irrigation, long-distance water transfer, heating ventilation and air conditioning, circulation and pressure boosting for cold and hot water, and supporting equipment etc.

Pump

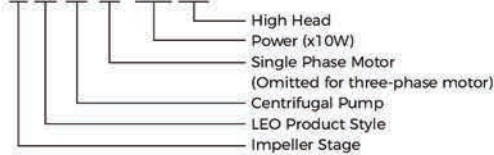
- Cast iron pump body and support under special anti-rust treatment
- AISI 304 shaft
- Max. liquid temperature: +60°C
- Max.suction: + 8 m

Motor

- Low noise&Long life bearing
- Motor with copper winding
- Built-in thermal protector for single phase motor
- Insulation class: F
- Enclosures class: IPX4
- Max. ambient temperature: +50°C
- IE 2 motor (Three phase, power ≥ 0.75kW)

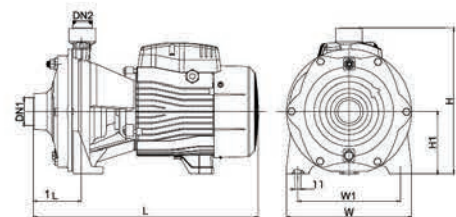
Identification Codes

2 A C m 150 (H)



Technical Data

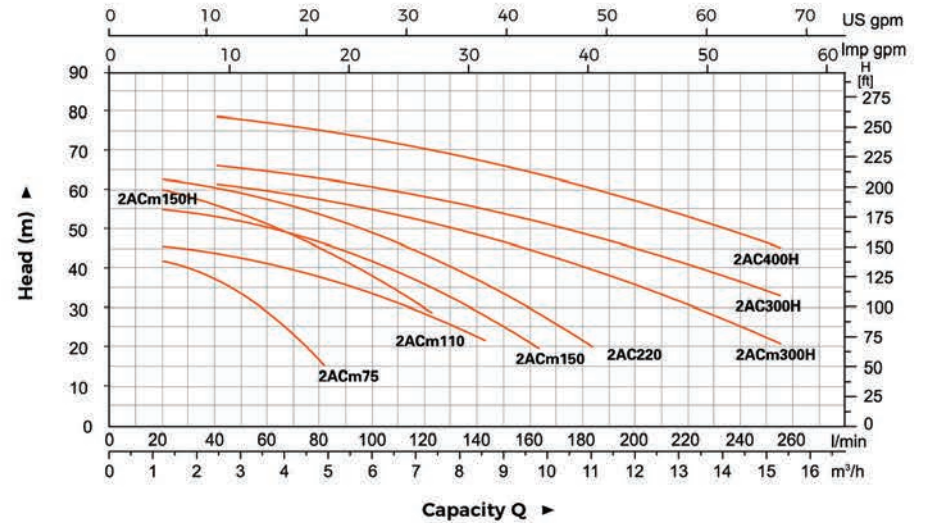
Model		Power		Q(m³/h)																
Single Phase	Three Phase	kW	HP	0	1.2	1.8	2.4	3	3.6	4.2	4.8	5.4	6	6.6	7.2	8.4	9.6	10.8	12	15
				Q(l/min)																
				0	20	30	40	50	60	70	80	90	100	110	120	140	160	180	220	250
2ACm75	2AC75	0.75	1	45	42.5	40	37	33.5	28.5	23	15	-	-	-	-	-	-	-	-	-
2ACm110	2AC110	1.1	1.5	47	46	45	44	43	41.5	40	38	35.5	33	30.5	28	22	-	-	-	-
2ACm150	2AC150	1.5	2	57.5	55.5	54.5	53.5	52	50.5	49	47	44.5	41.5	38.5	35	28	20	-	-	-
2ACm150H	2AC150H	1.5	2	63.5	60.5	58.5	56.5	54	51.5	48.5	45	41	37.5	33.5	29	-	-	-	-	-
-	2AC220	2.2	3	65	63	62	61	59.5	58	56	54	51.5	49	46	43	36	28.5	20.5	-	-
2ACm300H	-	3	4	65	-	-	62	61	60	59	58	56.5	55	53.5	52.5	48.5	44.5	40	35	21
-	2AC300H	3	4	70	-	-	67	66	65	64	63	62	61	59.5	59	55.5	52	49	45	33
-	2AC400H	4	5.5	82	-	-	79.5	78.5	77.5	76.5	75.5	74.5	73.5	72	71	67.5	64.5	61	57	45.5



Dimension

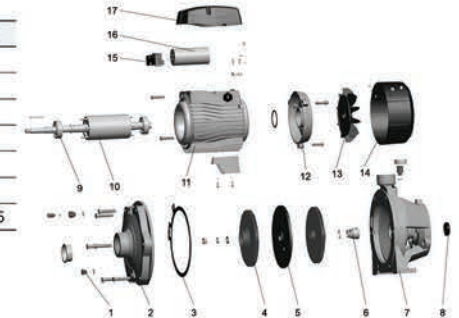
Model	DN1	DN2	L (mm)	L1 (mm)	H (mm)	H1 (mm)	W (mm)	W1 (mm)
2AC(m)75	1 1/2"	1"	337	72	231	100	181	145
2AC(m)110	379		78	225	92.5	200	162	
2AC(m)150	1 1/2"	1"	402	88	263	112	225	185
2AC(m)150H								
2AC220	1 1/2"	1"	481	99	311	132	281	234
2ACm300H								
2AC300H	1 1/2"	1"	481	99	311	132	281	234
2AC400H								

Hydraulic Performance Curves



Material Table

No.	Part	Material	No.	Part	Material
1	Drain plug	HPb59-1	11	Stator	
2	Pump body	HT200	12	Rear cover	ZL102
3	Gasket	NBR	13	Fan	PP
4	Impeller	AISI 304/Brass HT200	14	Fan cover	PP
5	Bracket cover	HT200	15	Terminal board	PC
6	Mechanical seal	Carbon/Ceramic	16	Capacitor	
7	Support	HT200	17	Terminal box	PA6-GF25
8	Oil seal				
9	Bearing				
10	Rotor				



Package Information

Model	GW (Kgs)	L (mm)	W (mm)	H (mm)	Quantity (PCS/20'TEU)
2AC(m)75	16.8	385	215	270	1190
2AC(m)110	22	430	235	275	833
2AC(m)150	26.4	445	255	300	636
2AC(m)150H	27	445	255	300	636
2AC220	27.5	445	255	300	629
2ACm300H	49	542	330	360	337
2AC300H	48.6	542	330	360	340
2AC400H	48.5	542	330	360	346

