



Application

- It is used for water circulation in all kinds of small domestic swimming pools. Slightly dirty water with solids in suspension can be perfectly filtered.

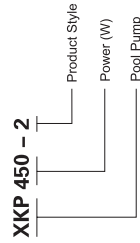
Pump

- Engineering plastic pump body
- AISI 304 shaft
- Max. liquid temperature: +35°C
- Max. suction: 3.5 m

Motor

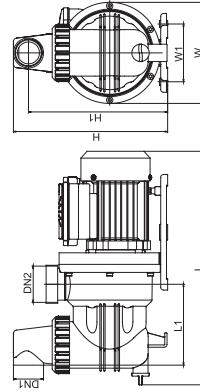
- Motor with copper or aluminum winding
- Built-in thermal protector for single phase motor
- Insulation class: F
- Protection class: IPX5

Identification Codes



Technical Data

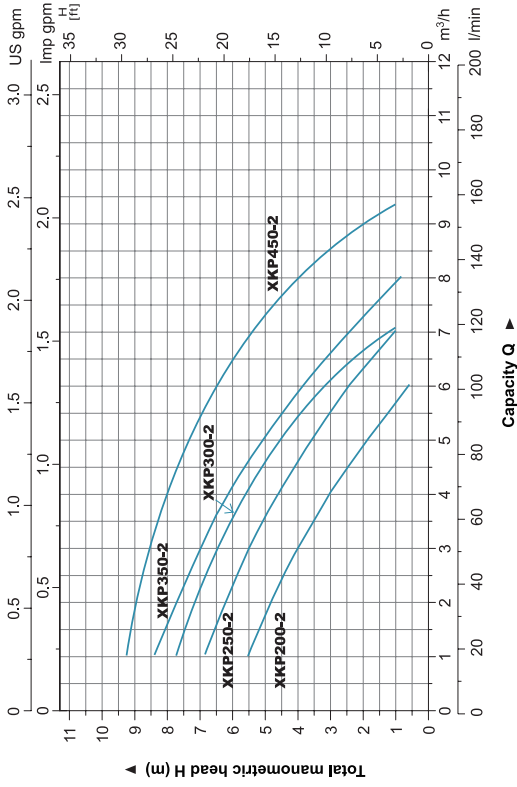
MODEL	POWER (P ₁)		Q (l/min)									
	W	Q (l/min)	1	2	3	4	5	6	7	8	9	10
XKP200-2	200		5.5	4.8	4.0	3.0	1.6	0.6	-	-	-	-
XKP250-2	250		6.9	6.3	5.5	4.6	3.6	2.4	1.0	-	-	-
XKP300-2	300	H	7.7	7.2	6.4	5.5	4.5	3.0	1.0	-	-	-
XKP350-2	350	(m)	8.4	7.7	7.0	6.2	5.0	3.8	2.3	0.8	-	-
XKP450-2	450		9.6	9.1	8.5	8.0	7.3	6.4	5.2	4.0	2.4	-



Dimension

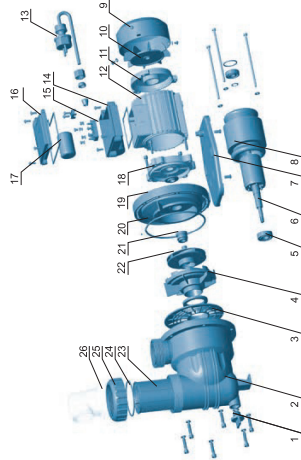
Model	DN1	DN2	L	W	H	L1	W1	H1
XKP200-2	40	40	175	267	140	100	100	241
XKP250-2	40	40	175	267	140	100	100	241
XKP300-2	40	40	175	267	140	100	100	241
XKP350-2	40	40	175	267	140	100	100	241
XKP450-2	40	40	175	267	140	100	100	241

Hydraulic Performance Curves



Materials Table

No.	Part	Material	No.	Part	Material
1	Filling plug	PP	14	Terminal box	ABS
2	Pump body	PP	15	Terminal board	PC
3	Water panel cover	PPO	16	Terminal box cover	ABS
4	Diffuser	PPO	17	Capacitor	ZL102
5	Ball bearing	PP	18	Front plate	PP
6	Rotor	PA	19	Support	NSR
7	Base	PA	20	O-ring	NSR
8	Stator	08F	21	Mechanical seal	Carbon/Ceramic
9	Fan cover	PP	22	Impeller	PPO
10	Fan	PP	23	Slave	PP
11	Rear cover	ZL102	24	O-ring	NSR
12	Motor housing	ZL102	25	Nut	ABS
13	Cable		26	Connector	PC



Package Information

Model	GW (kg)	L (mm)	W (mm)	H (mm)	Quantity (PCS/20TEU)
XKP200-2	5.6	450	203	238	1341
XKP250-2	5.8	450	203	238	1341
XKP300-2	6.1	450	203	238	1341
XKP350-2	6.3	450	203	238	1341
XKP450-2	6.5	450	203	238	1341





Application

- It is used for water circulation in small and medium-sized swimming pools.
- Slightly dirty water with solids in suspension can be perfectly filtered.

Pump

- Engineering plastic pump body
- ANSI 304 shaft
- Max. liquid temperature: +35°C
- Max. suction: 3.5 m

Motor

- Motor with copper or aluminum winding
- Built-in thermal protector for single phase motor
- Insulation class: F
- Protection class: IPX5

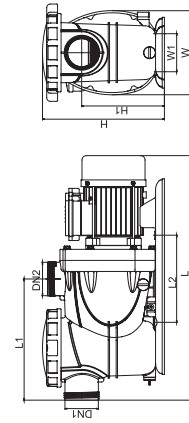
Identification Codes

XKP 16 04



Technical Data

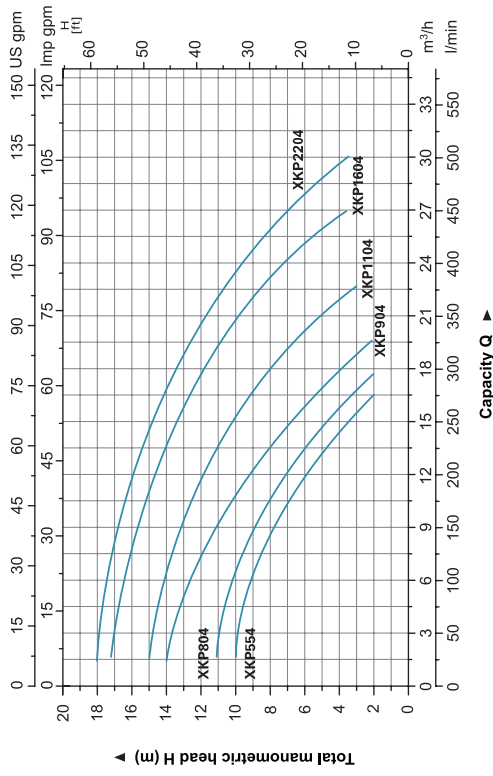
MODEL	POWER (P ₁)		Q (m ³ /h)																				
	W	Q (l/min)	3	6	9	12	15	18	21	24	27	30	30	33	36	39	42	45	48	51	54	57	60
XKP554	600	9.7	9	8	6	3.2	0.5	-	-	-	-	-	-	-	-	-	-	-	-	-	-	-	-
XKP804	800	10.8	10.3	8.8	7	4.5	1.5	-	-	-	-	-	-	-	-	-	-	-	-	-	-	-	-
XKP904	900	13.2	12.3	11.1	9.2	6.5	3.4	0.2	-	-	-	-	-	-	-	-	-	-	-	-	-	-	-
XKP1104	1100	14.8	14.2	13.2	12	10.3	8	4.8	-	-	-	-	-	-	-	-	-	-	-	-	-	-	-
XKP1604	1600	16.8	16.3	15.5	14.5	13.5	12	9.6	7	3.5	-	-	-	-	-	-	-	-	-	-	-	-	-
XKP2204	2200	17.8	17.3	16.5	16	14.8	13.4	11.7	9.5	6.5	3.3	-	-	-	-	-	-	-	-	-	-	-	-



Dimension

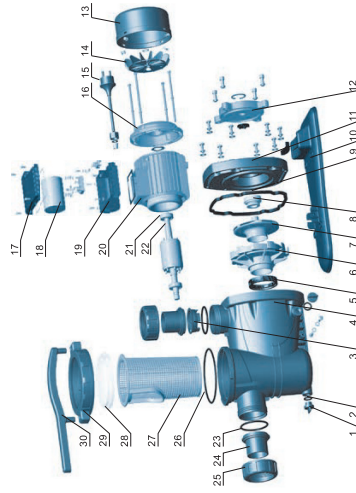
Model	DN1	DN2	L	W	H	L1	L2	HT
XKP554	53	190	278	274	197	187	187	187
XKP804	53	190	278	274	197	187	187	187
XKP904	63	553	190	278	274	197	187	187
XKP1104	53	190	278	274	197	187	187	187
XKP1604	53	190	278	274	197	187	187	187
XKP2204	53	190	278	274	197	187	187	187

Hydraulic Performance Curves



Materials Table

No.	Part	Material	No.	Part	Material
1	Drain plug	PP	16	Rear cover	ZL102
2	O-ring	NBR	17	Capacitor cover	ABS
3	Valve body	PP	18	Capacitor	PP
4	Pump body	PP	19	Terminal box	ABS
5	O-ring	NBR	20	Sawtooth	PP
6	Diffuser	PP	21	Bearing	PP
7	Impeller	PPD	22	Rotor	PPD
8	Mechanical seal	Carbon/Ceramic	23	O-ring	NBR
9	O-ring	NBR	24	Connector	PVC
10	Bottom board	PP	25	Nut	ABS
11	Plastic support	PP	26	O-ring	EPDM
12	Pump support	ZL102	27	Sleeve	PP
13	Fan cover	PP	28	Pump cover	PC
14	Fan	PP	29	Pump cover nut	PA6
15	Cable	PP	30	Wrench	PP



Package Information

Model	GW (Kgs)	L (mm)	W (mm)	H (mm)	Quantity (PCS/20 TEU)
XKP554	10.1	585	220	290	816
XKP804	11	585	220	290	816
XKP904	11.5	585	220	290	816
XKP1104	12.2	585	220	290	816
XKP1604	15.7	615	230	290	744
XKP2204	17.6	615	230	290	744

